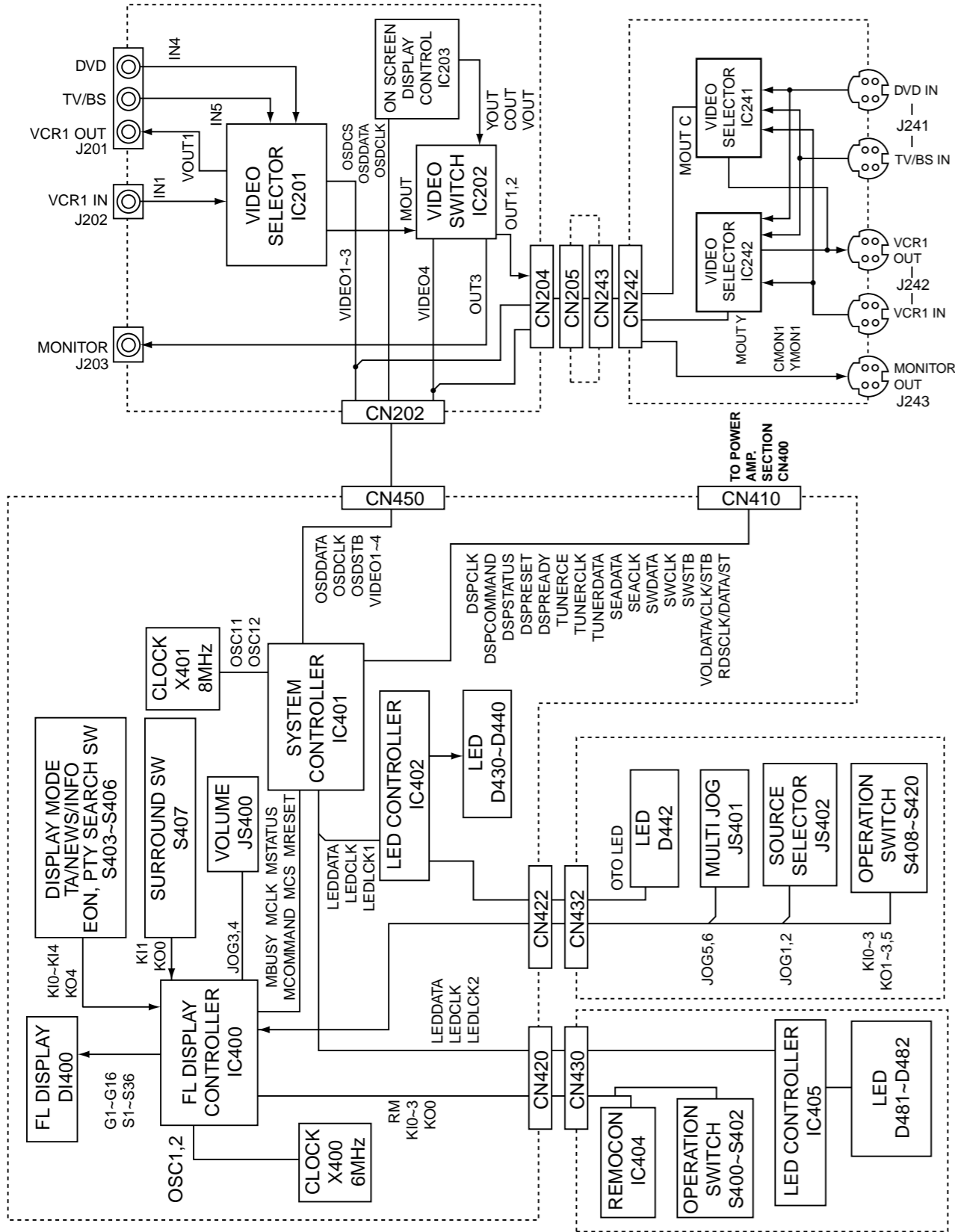
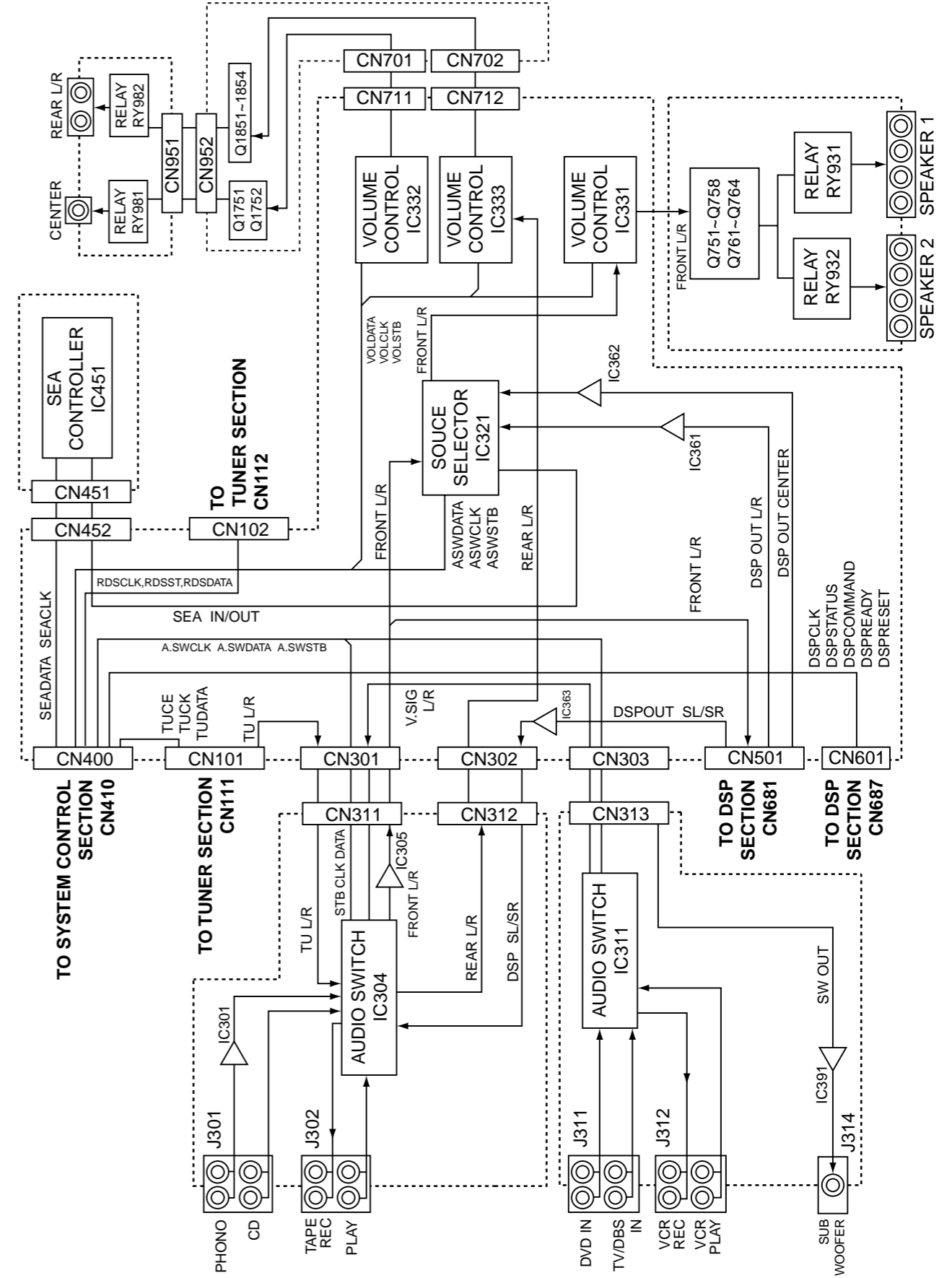


# Block diagrams

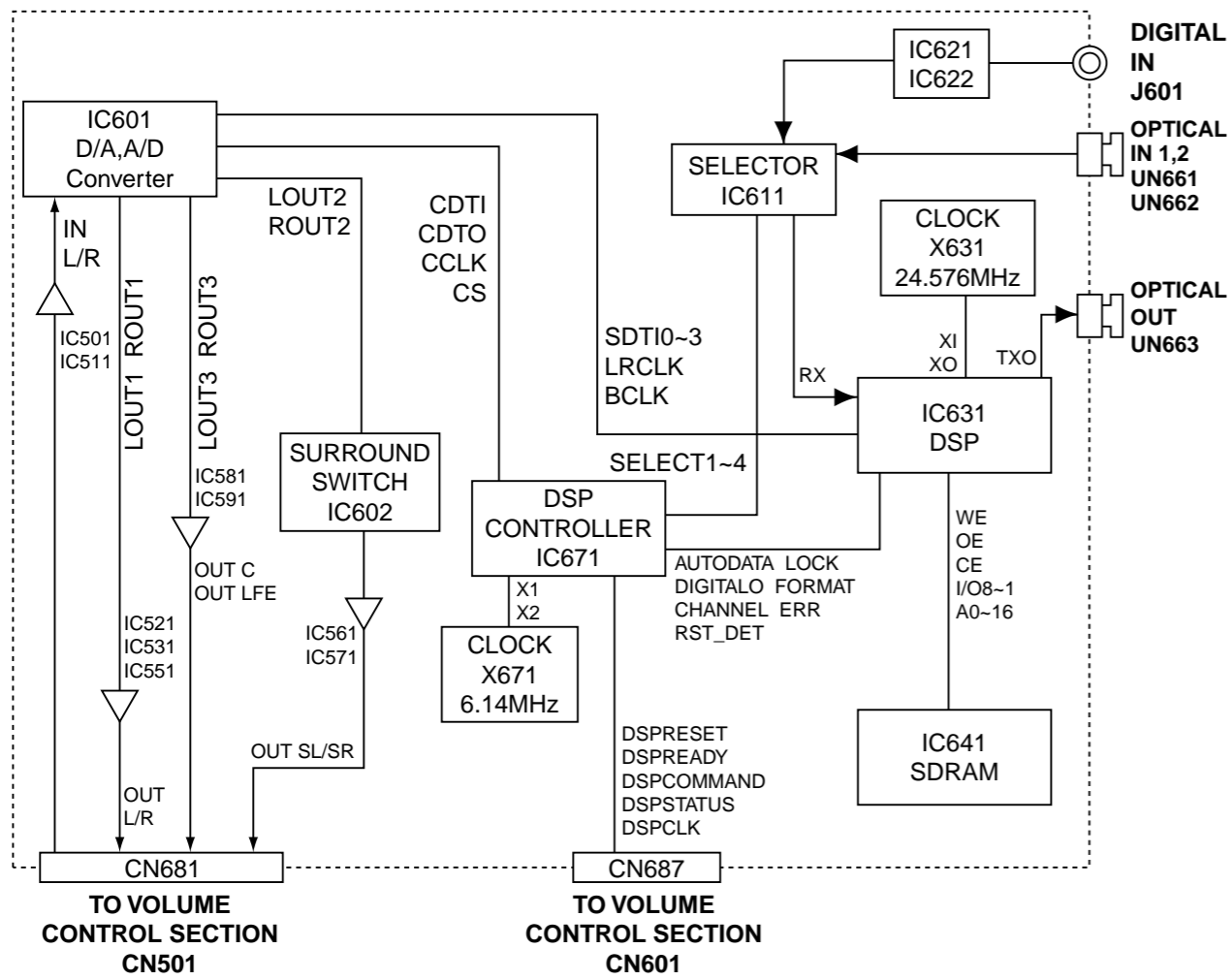
## System control & Video I/O section



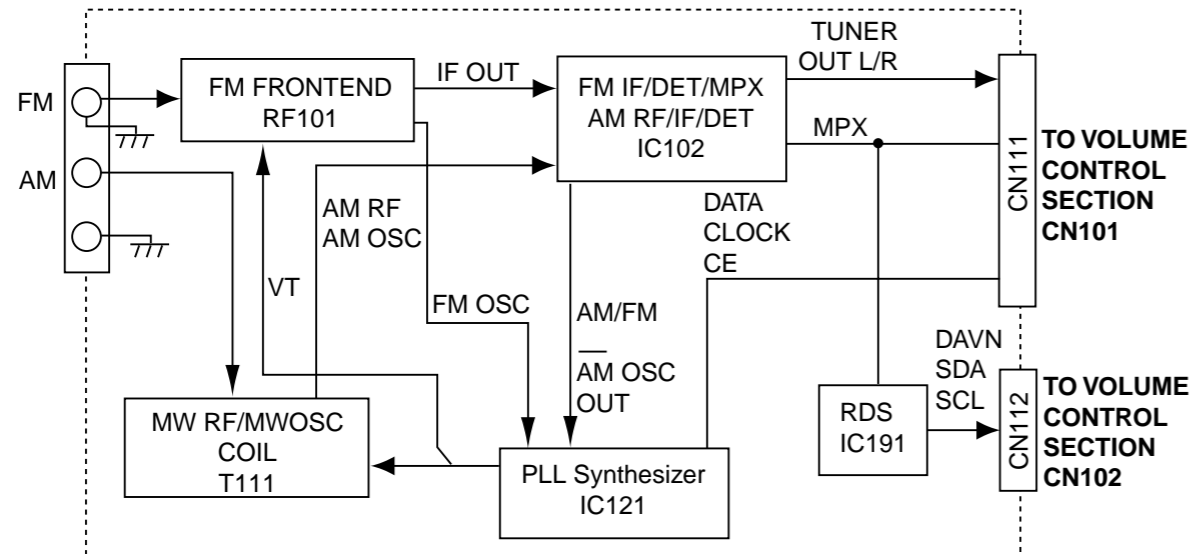
## Power amplifier & Audio I/O section



■ DSP Section



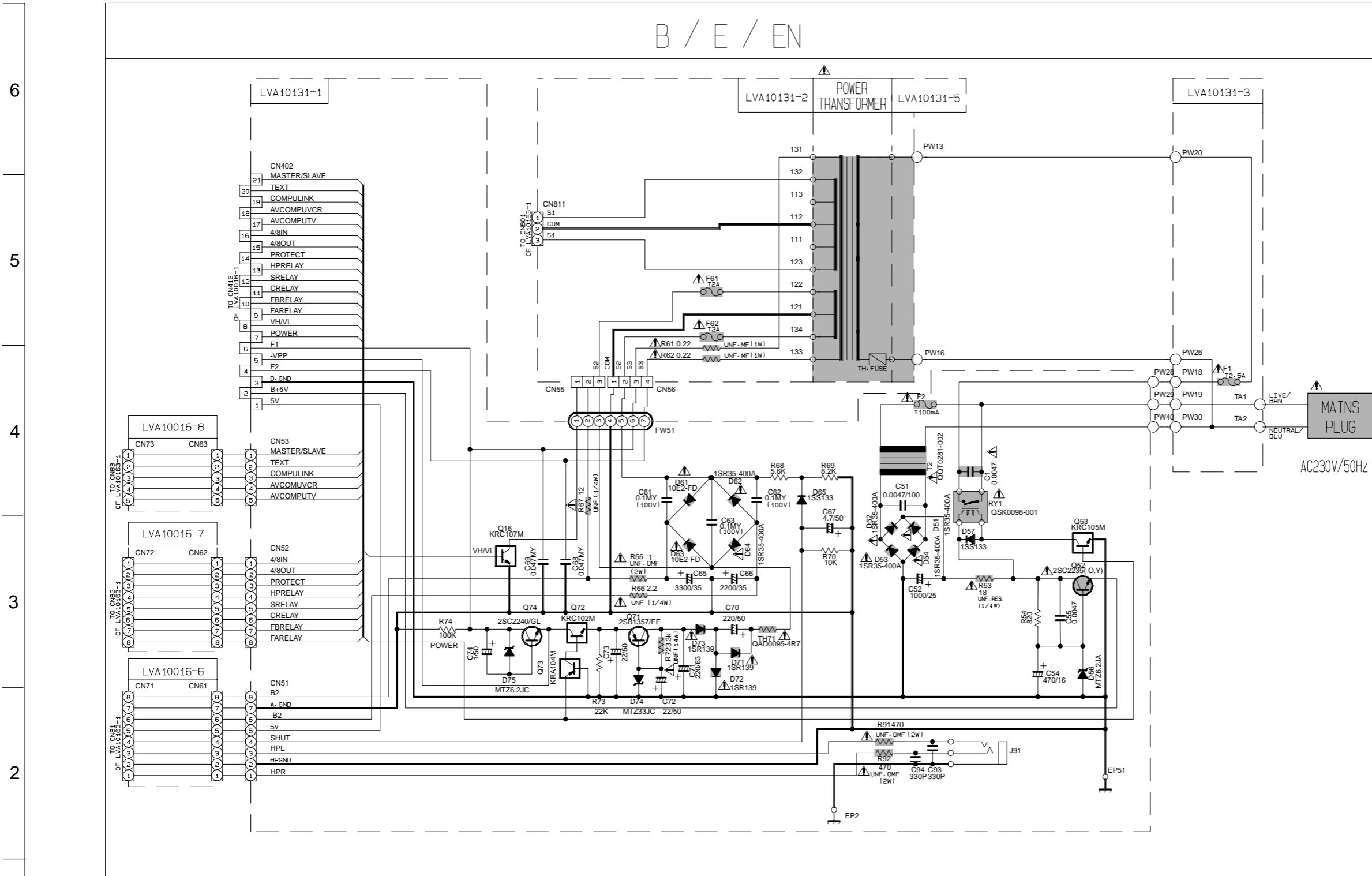
■ Tuner section



# Standard schematic diagrams

## Power supply section

B / E / EN



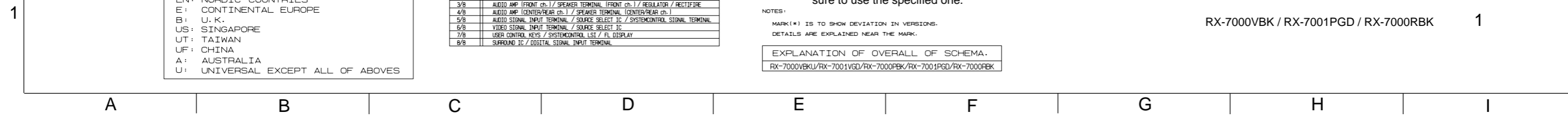
VERSION CODES	
EN:	NORDIC COUNTRIES
E:	CONTINENTAL EUROPE
B:	U. K.
US:	SINGAPORE
UT:	TAIWAN
UF:	CHINA
A:	AUSTRALIA
U:	UNIVERSAL EXCEPT ALL OF ABOVE

SHEET NUMBER	CIRCUIT DESCRIPTION
1/8	PRIMARY / RECTIFIER
2/8	VOLUME (FRONT/CENTER/REAR ch.1) / SEA / SOURCE SELECT IC
3/8	AUDIO AMP (FRONT ch. / SPEAKER TERMINAL (FRONT ch.1) / REGULATOR / RECTIFIER
4/8	AUDIO AMP (CENTER/REAR ch.1) / SPEAKER TERMINAL (CENTER/REAR ch.1)
5/8	AUDIO SIGNAL INPUT TERMINAL / SOURCE SELECT IC / SYSTEMCONTROL SIGNAL TERMINAL
6/8	VIDEO SIGNAL INPUT TERMINAL / SOURCE SELECT IC
7/8	USER CONTROL KEYS / SYSTEMCONTROL LSI / FL DISPLAY
8/8	SURROUND IC / DIGITAL SIGNAL INPUT TERMINAL

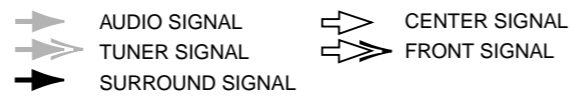
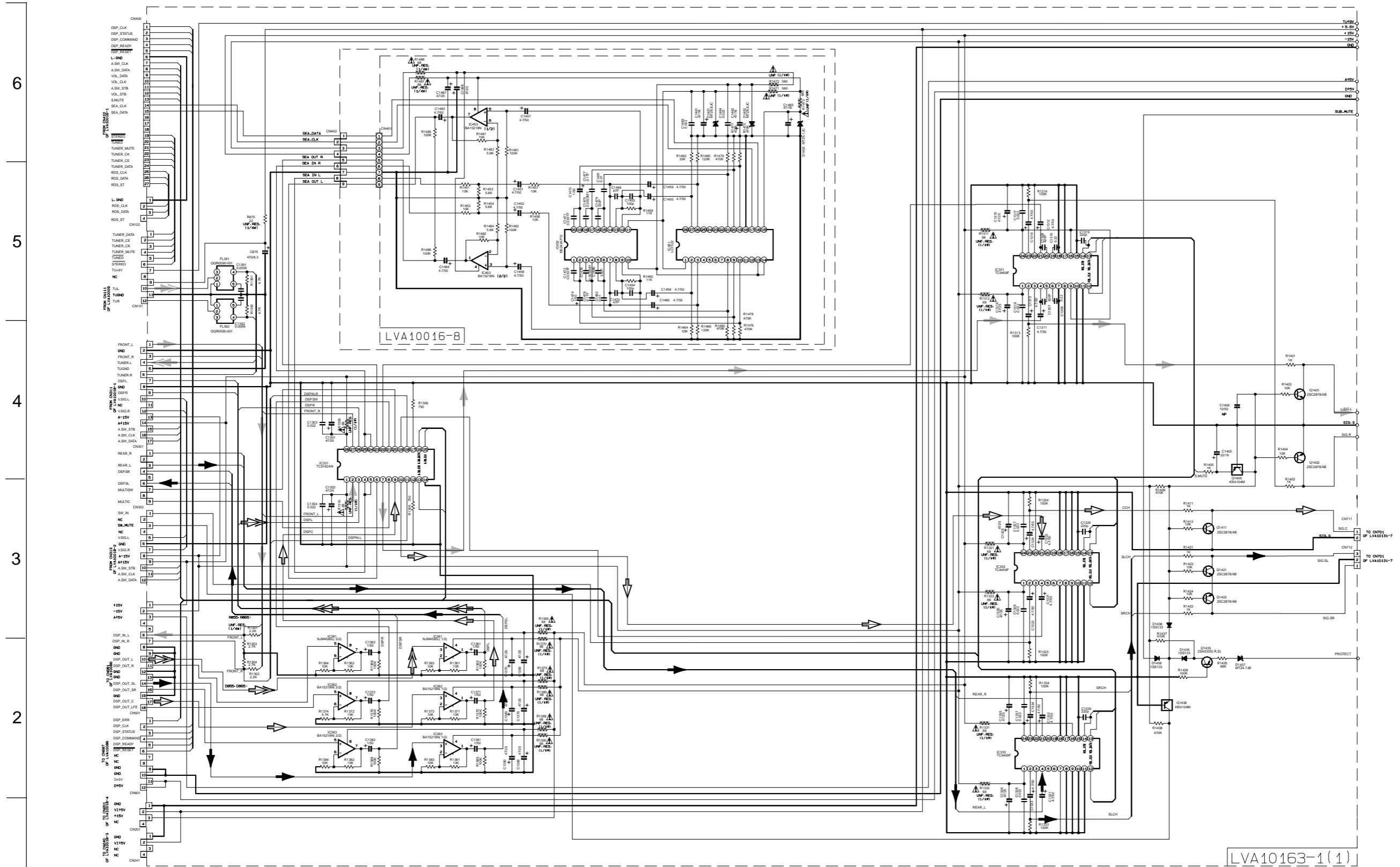
⚠ Parts are safety assurance parts. When replacing those parts make sure to use the specified one.

NOTES:  
 MARK(\*) IS TO SHOW DEVIATION IN VERSIONS.  
 DETAILS ARE EXPLAINED NEAR THE MARK.  
 EXPLANATION OF OVERALL OF SCHEMA.  
 RX-7000VBK/RX-7001VGD/RX-7000PBK/RX-7001PGD/RX-7000RBK

MODEL RX-7000VBK / RX-7001PGD / RX-7000RBK SHEET 1



■ Main amplifier section 1/2

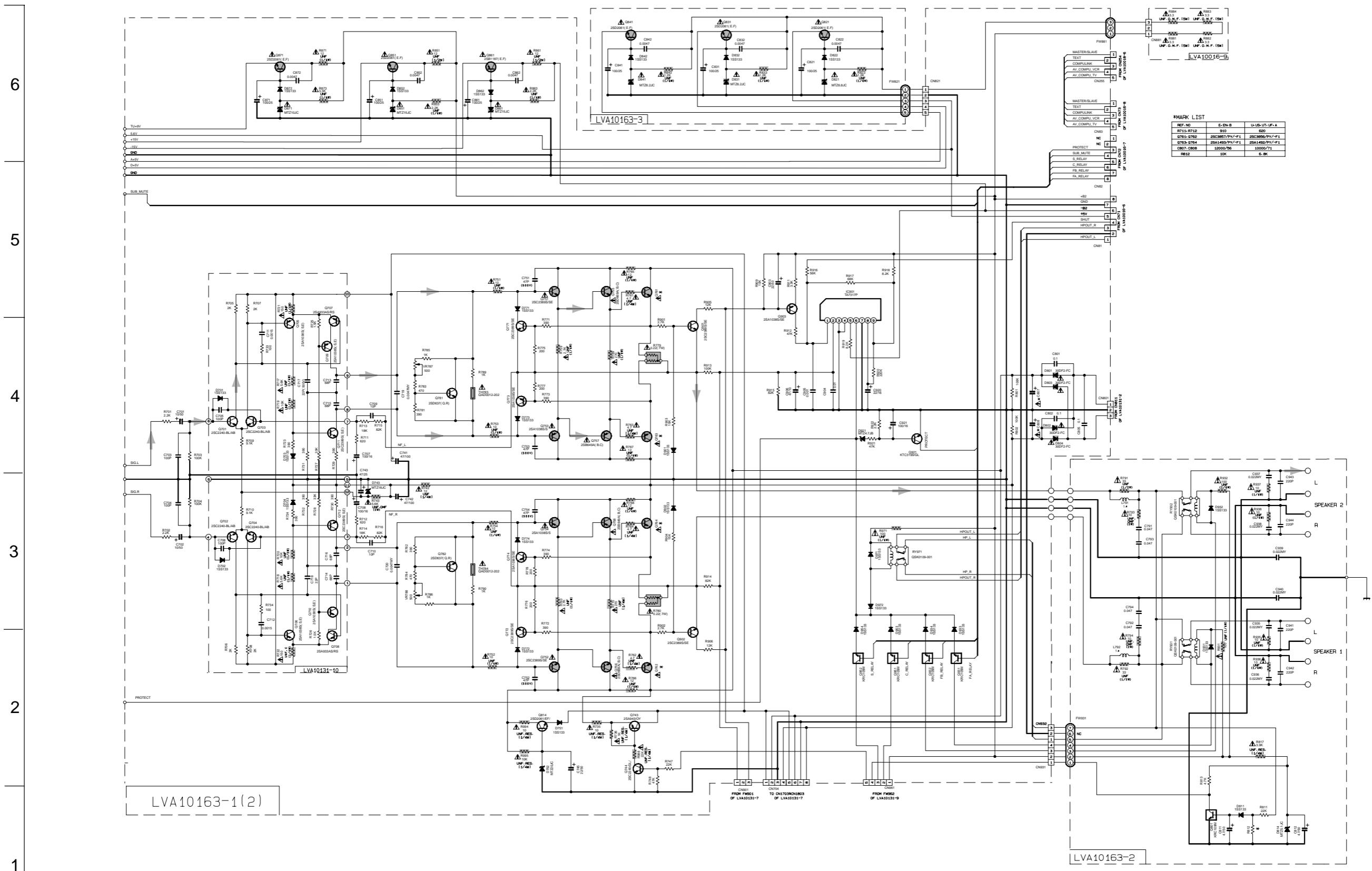


▲ Parts are safety assurance parts. When replacing those parts make sure to use the specified one.

MODEL  
RX-7000VBK / RX-7001PGD / RX-7000RBK

SHEET  
2

■ Main amplifier section 2/2



#MARK LIST

REF. NO.	E-EN-B	U-UC-UT-UF-A
R711-R712	810	800
Q701-Q702	2SC2982/7V/-F1	2SC2982/7V/-F1
Q703-Q704	2SA1085/7V/-F1	2SA1085/7V/-F1
Q801-Q802	10000/70	10000/71
R812	10K	6.8K

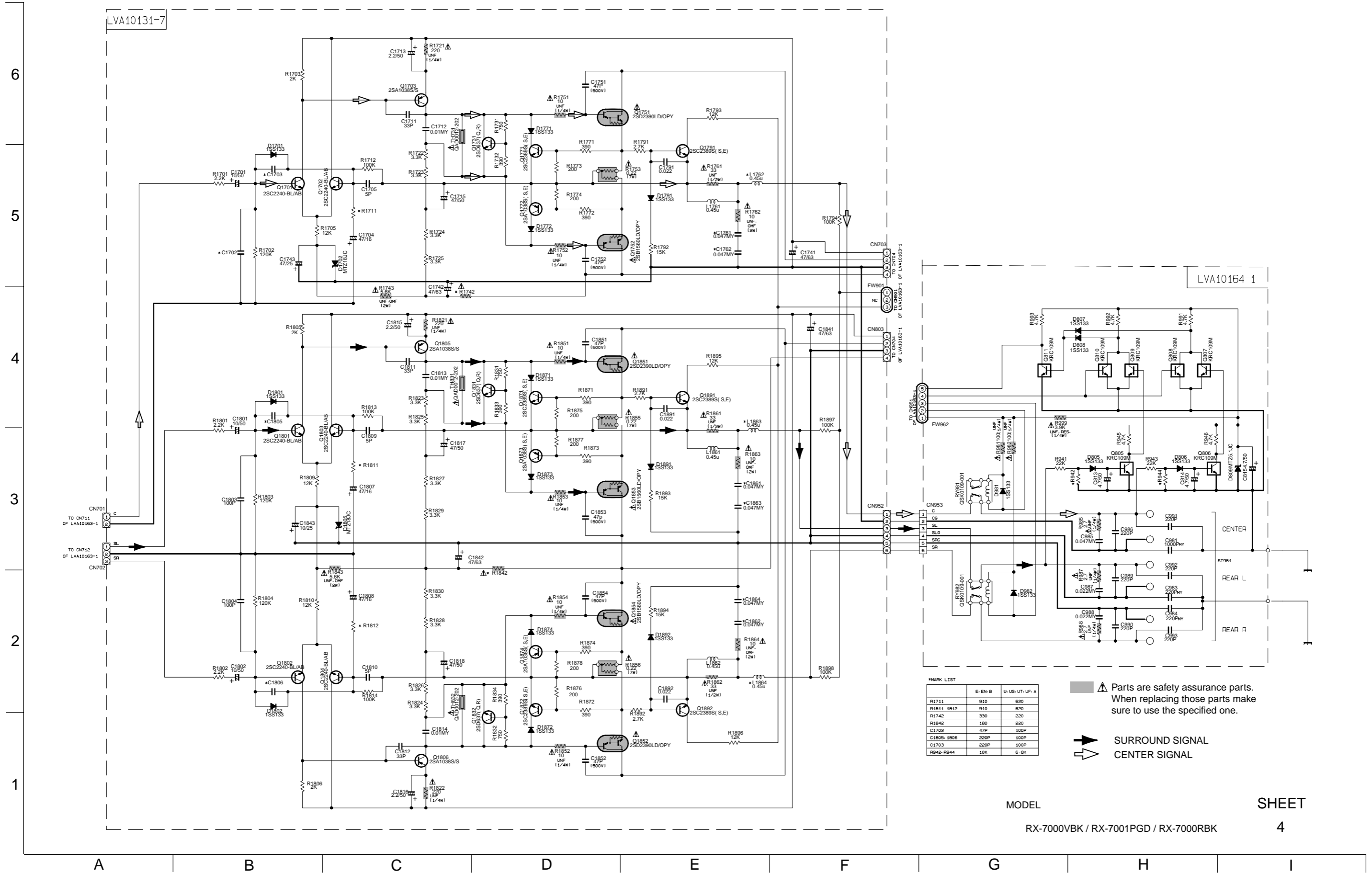
➔ AUDIO SIGNAL

▲ Parts are safety assurance parts. When replacing those parts make sure to use the specified one.

MODEL  
RX-7000VBK / RX7001PGD / RX-7000RBK

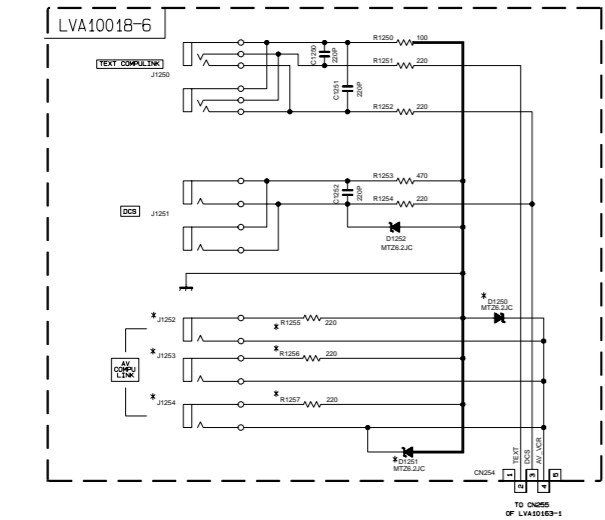
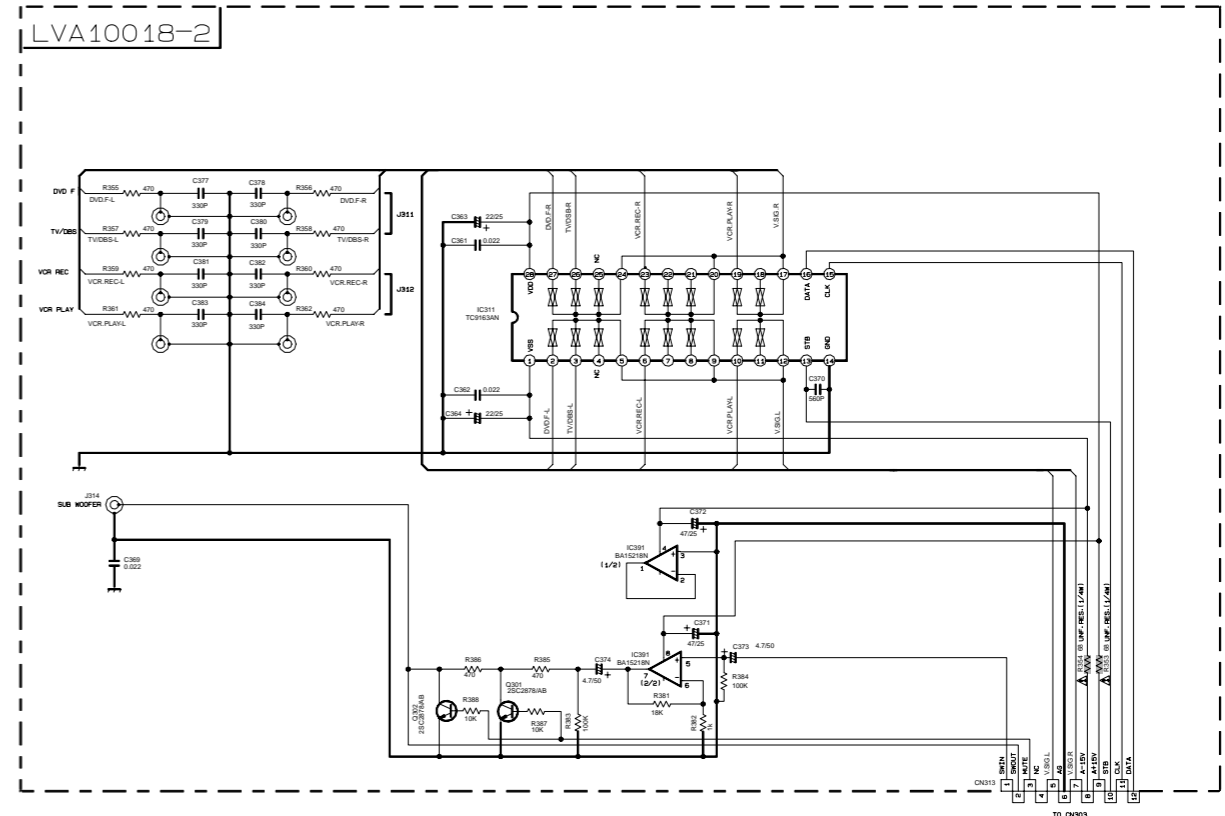
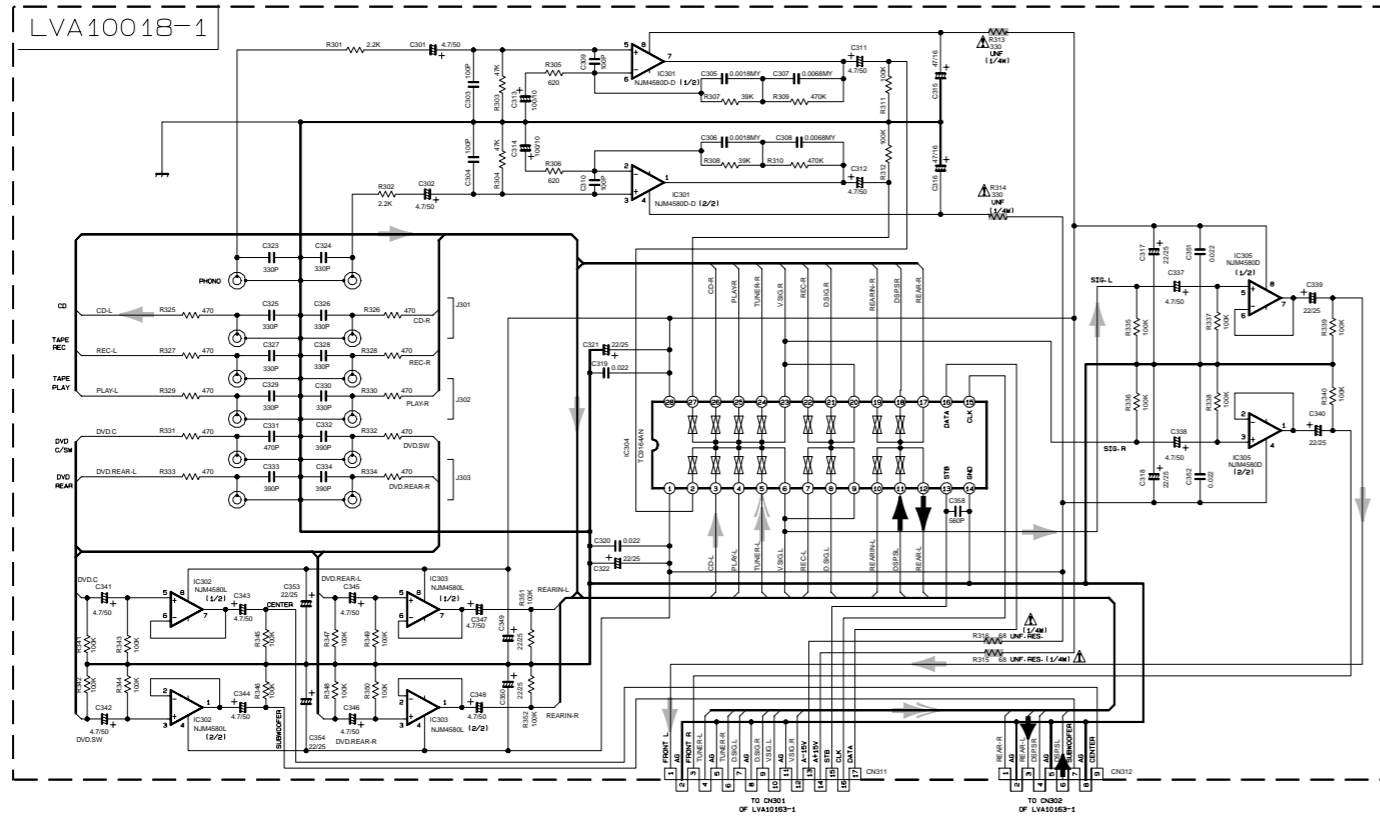
SHEET  
3

Center / Rear amplifier section



■ Audio signal section

6  
5  
4  
3  
2  
1



MARK LIST

REF. NO	E-EV. B-A	U-US-UT-UF
J1252, J1253, J1254	NONE	USED
R1255, R1256, R1257	NONE	USED
D1250	NONE	USED
D1251	NONE	USED

▲ Parts are safety assurance parts.  
When replacing those parts make sure to use the specified one.

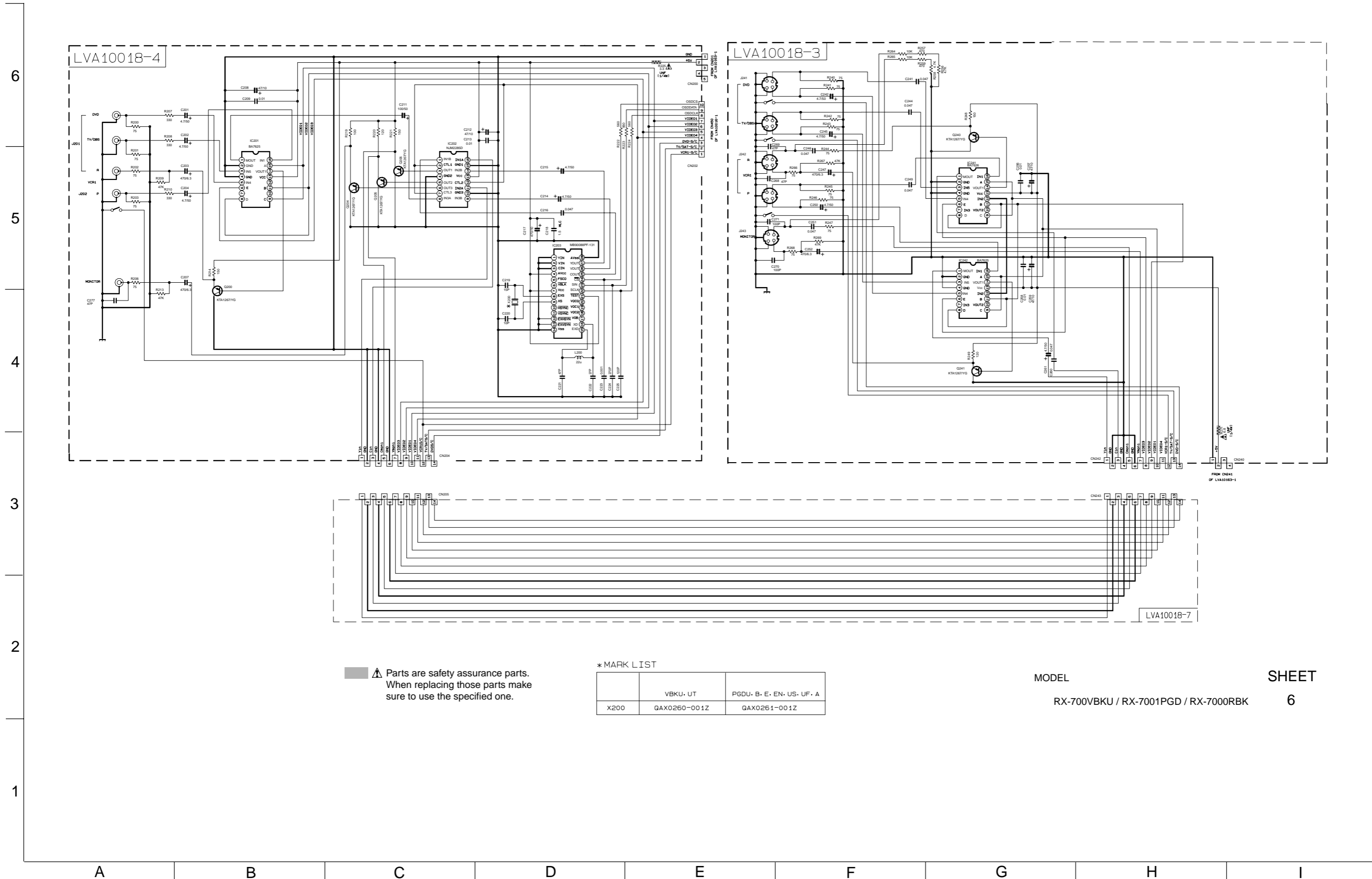
- ▶ CD/AUDIO SIGNAL
- ▶ TUNER SIGNAL
- ▶ SURROUND SIGNAL

MODEL  
RX-7000VBK / RX-7001PGD / RX-7000RBK

SHEET  
5

A B C D E F G H I

Video signal section



▲ Parts are safety assurance parts. When replacing those parts make sure to use the specified one.

\* MARK LIST

	VBKU·UT	PGDU·B·E·EN·US·UF·A
X200	QAX0260-001Z	QAX0261-001Z

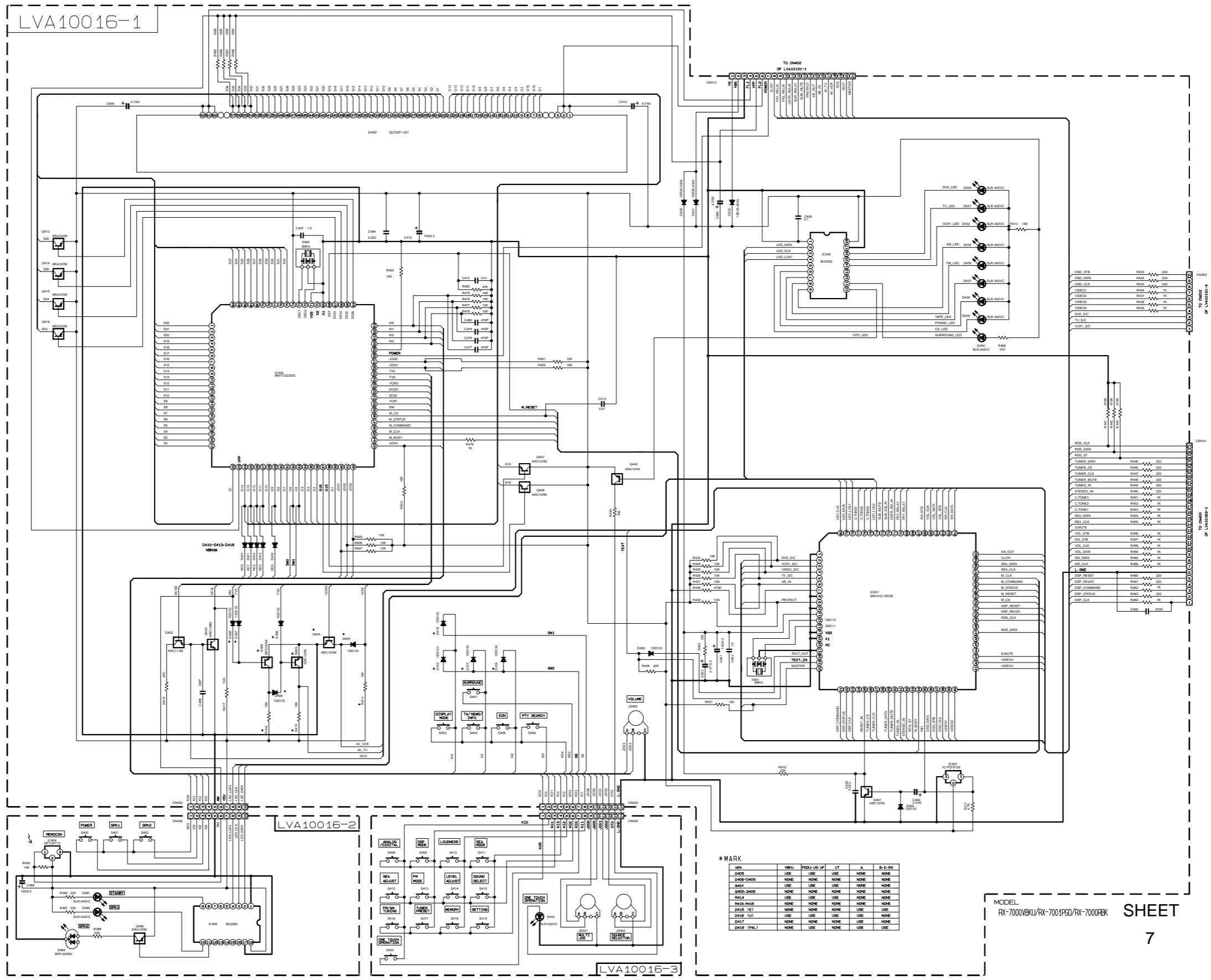
MODEL  
RX-700VBKU / RX-7001PGD / RX-7000RBK

SHEET  
6



FL Display & System control section

6  
5  
4  
3  
2  
1  
A B C D E F G H I



\* MARK

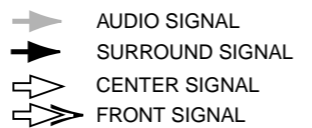
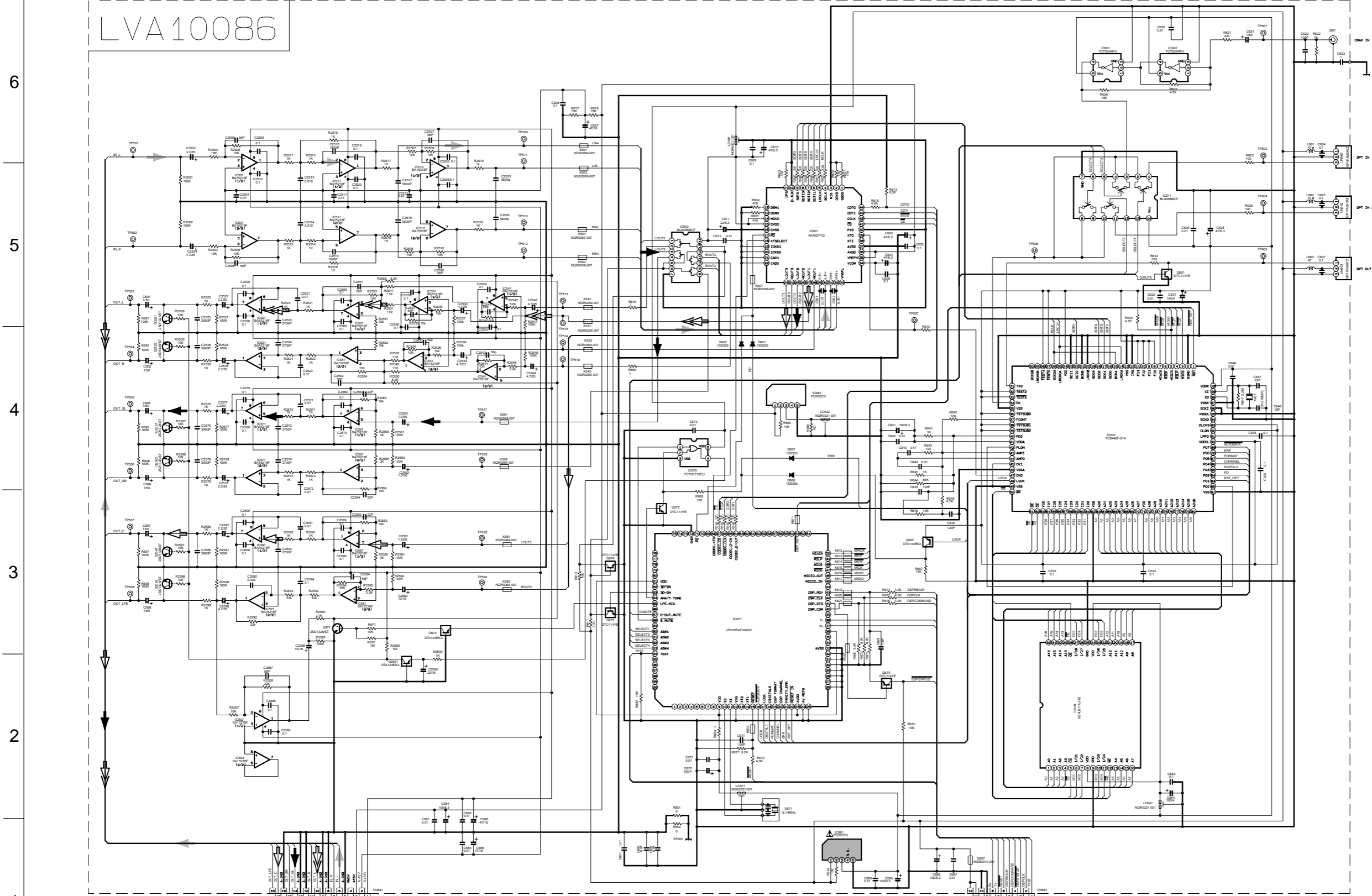
VER.	VERU	MODS	US	UP	LT	A	B	D	EN
D409	USE	USE	USE	USE	NONE	NONE	NONE	NONE	NONE
D409-D409	USE	USE	USE	USE	NONE	NONE	NONE	NONE	NONE
S414	USE	USE	USE	USE	NONE	NONE	NONE	NONE	NONE
S405-S405	NONE	NONE	NONE	NONE	NONE	NONE	NONE	NONE	NONE
S414	USE	USE	USE	USE	NONE	NONE	NONE	NONE	NONE
R415-R415	NONE	NONE	NONE	NONE	NONE	NONE	NONE	NONE	NONE
D415 L&I	NONE	NONE	NONE	NONE	USE	USE	USE	USE	USE
D419 L&I	USE	USE	USE	USE	USE	USE	USE	USE	USE
D417	NONE	NONE	NONE	NONE	USE	USE	USE	USE	USE
S419 (F&L)	NONE	USE	USE	USE	NONE	USE	USE	USE	USE

MODEL  
RX-7000VBK/RX-7001PGD/RX-7000RBK

SHEET  
7

DSP section

LVA10086

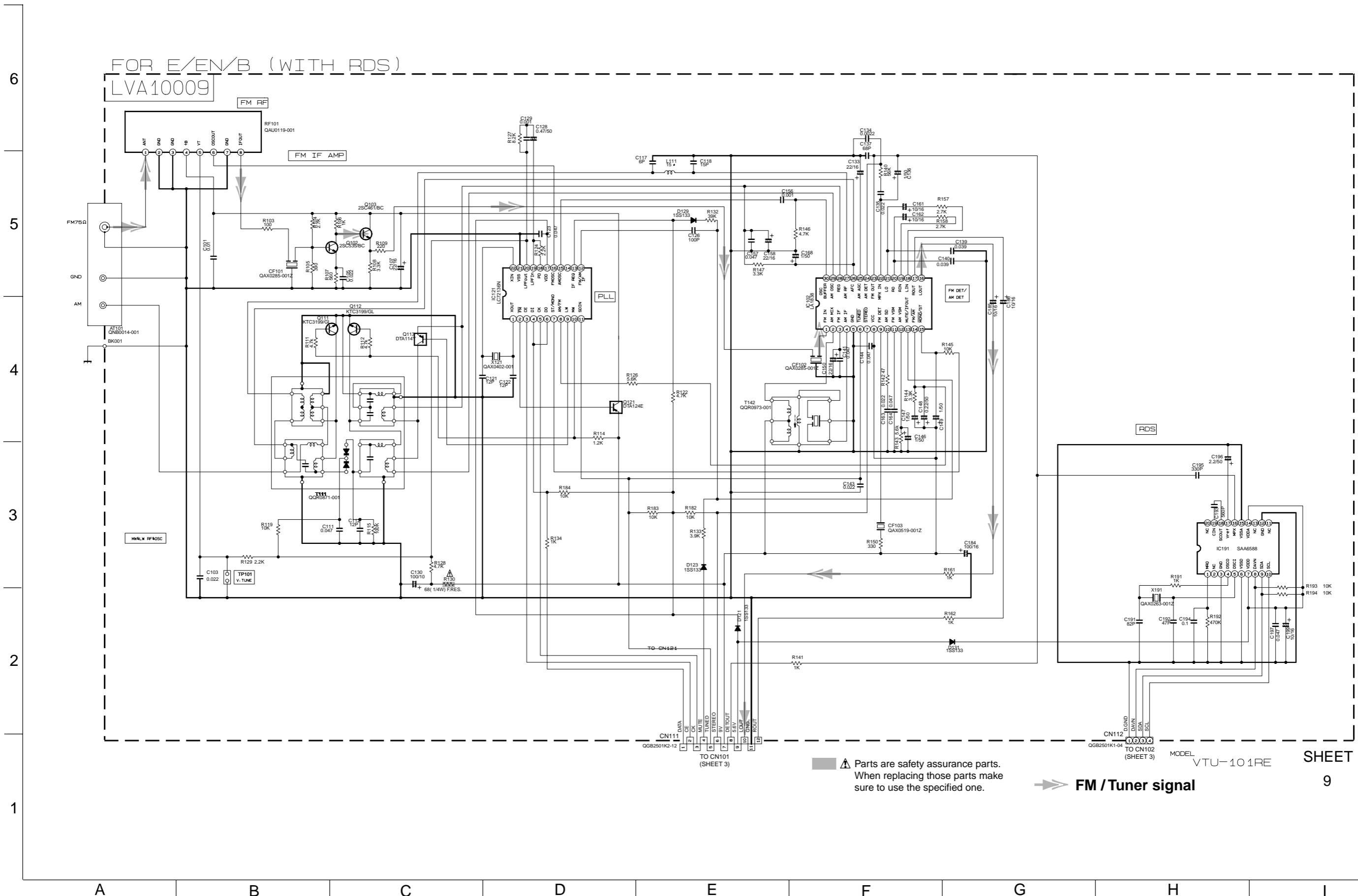


⚠ Parts are safety assurance parts.  
When replacing those parts make  
sure to use the specified one.

MODEL  
RX-7000VBK / RX-7001PGD / RX-7000RBK

SHEET  
8

■ Tuner section



FOR E/EN/B (WITH RDS)  
LVA10009

RDS

MODEL VTU-101RE

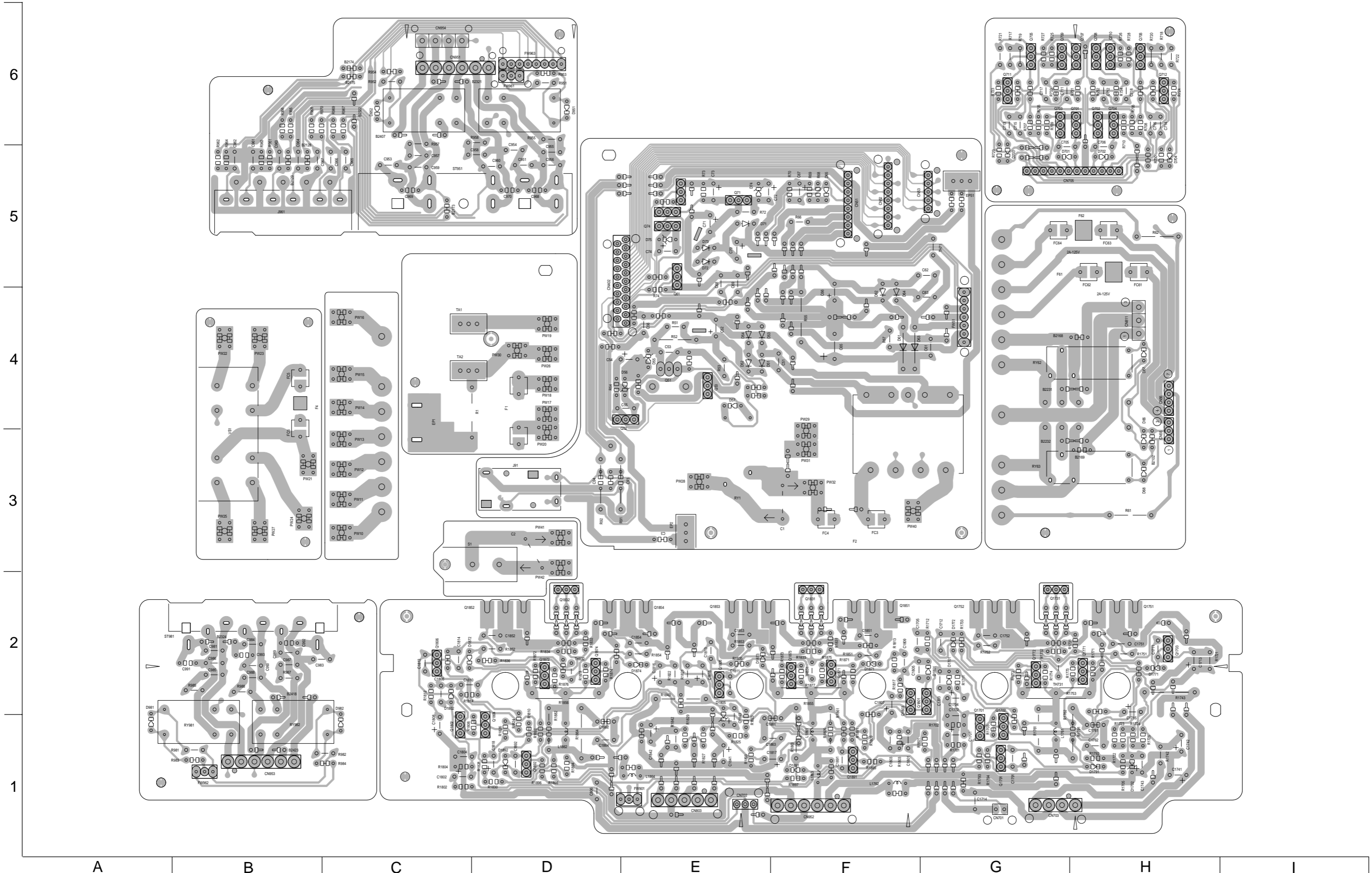
SHEET 9

▲ Parts are safety assurance parts. When replacing those parts make sure to use the specified one.

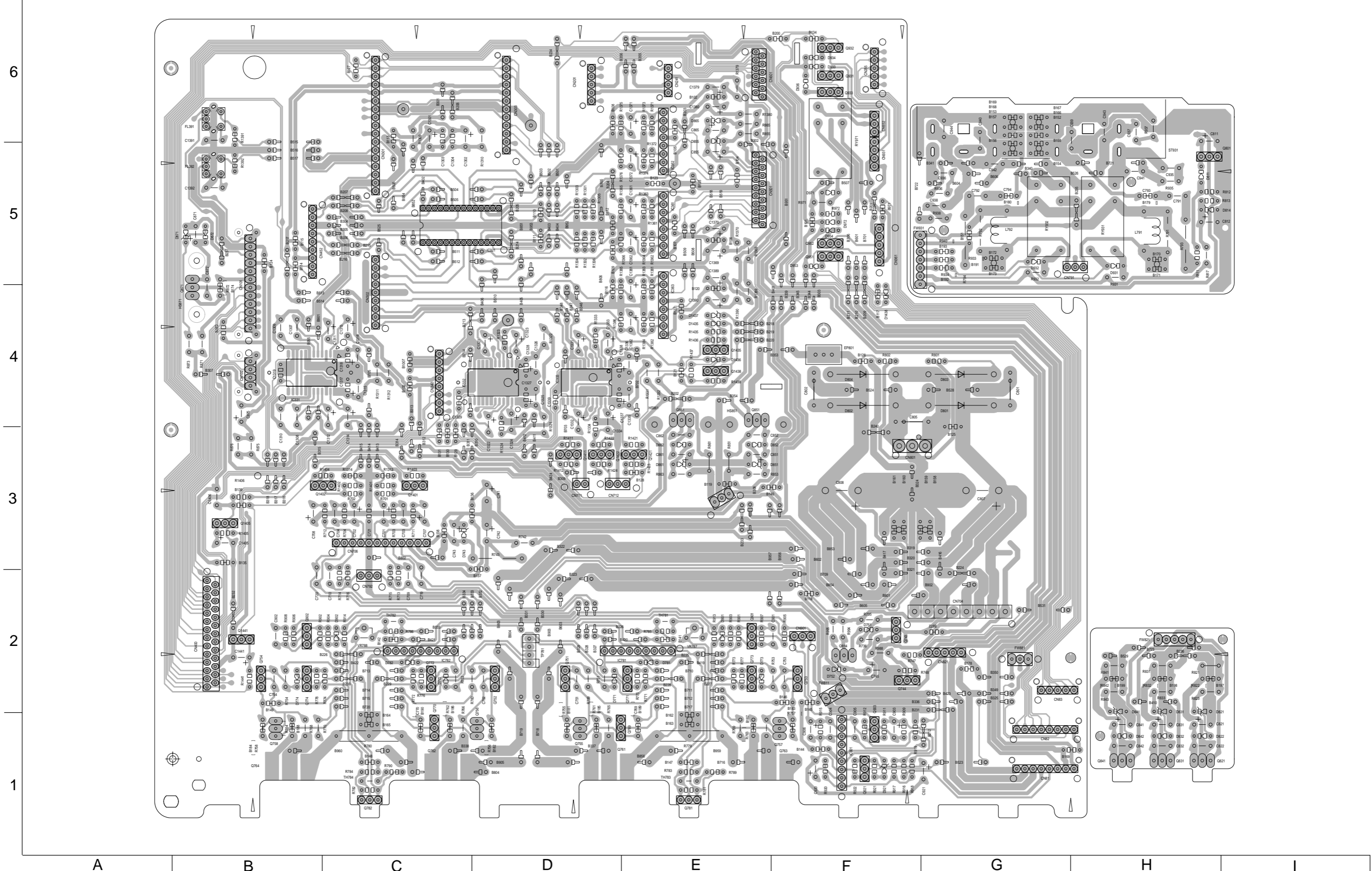
→ FM / Tuner signal

# Printed circuit boards

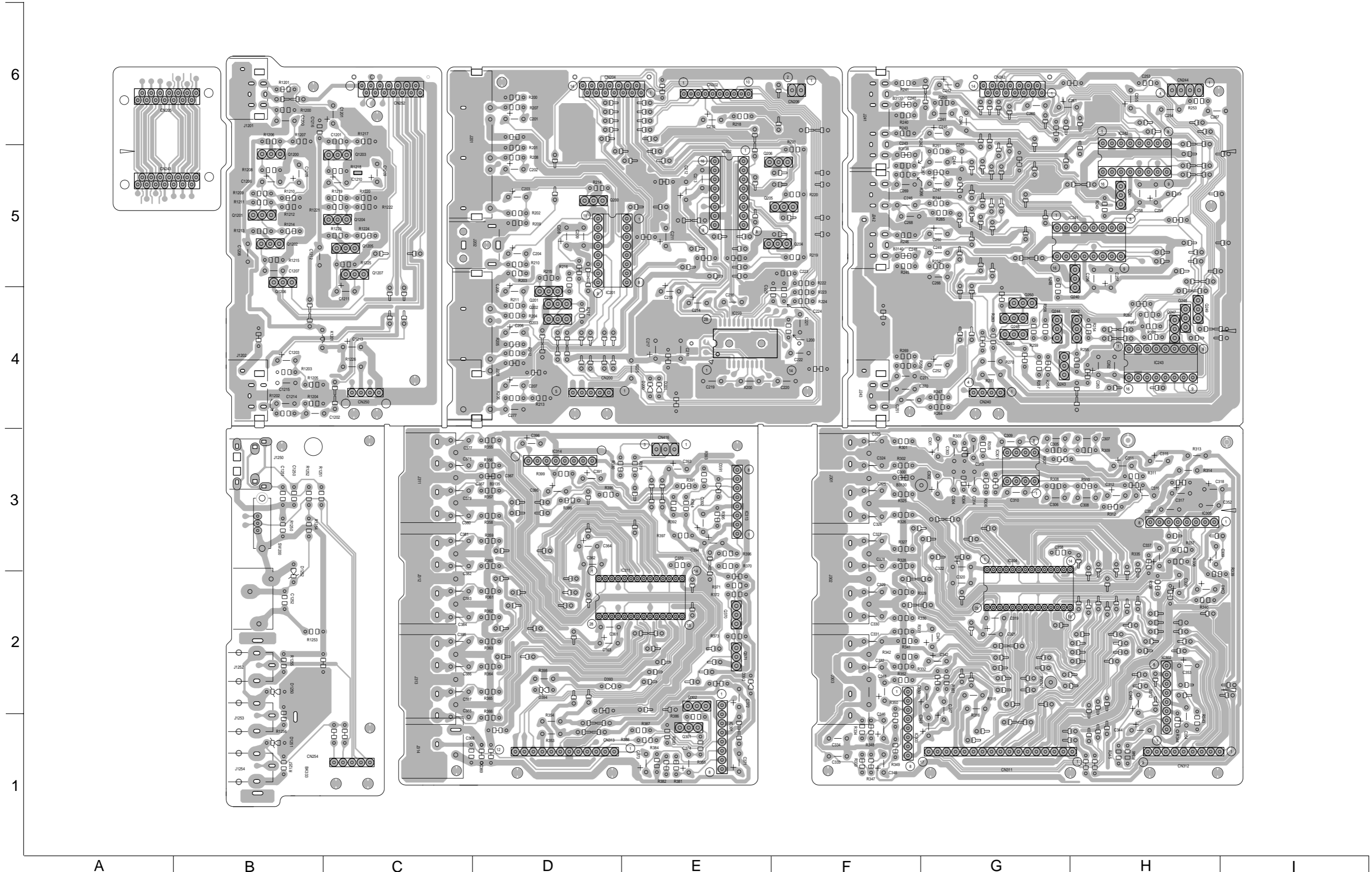
■ Power amp. & Power spply board



■ Main board



■ Input / output board



FL Display & System control board

